

Model Number	A	B	C (Depth)
HYBRID-G8	670 mm	700 mm	211 mm
HYBRID-G9	670 mm	760 mm	211 mm



**GENERAL INFO**

**DESIGNED FOR MAINS & RAINWATER SUPPLIES**

**Filtration and Ultraviolet All in One Unit with Weather Cover**

Puretec Hybrid Systems provide safe and purified water at every tap. Designed for both mains and rainwater supply, this filter system is highly effective in eliminating 99.99% bacteria and parasites in your water. The Hybrid Systems also reduces silt, sludge, dirt & rust giving good general purpose filtration.

**SPECIFICATIONS**

Model:	Hybrid-G8	Hybrid-G9
Replacement parts and cartridges:		
1st Stage Filtration	<b>PL20MP1</b>	<b>PL20MP2</b>
2nd Stage Filtration	<b>PX01MP1</b>	<b>PX01MP2</b>
High output UV lamp, 46 W	<b>RL6</b>	
Flow rate	<b>75 Lpm</b>	<b>130 Lpm</b>
Maximum temperature	<b>52°C *</b>	
Maximum Pressure	<b>875 kPa</b>	
Connection:	<b>1" BSP [25mm]</b>	

*Important Note: Use only genuine Puretec replacement cartridges. ~3 Year Platinum Protection applies to Puretec Systems when used in conjunction with a Puretec filter cartridge. Warranty excludes cartridges.*

**FEATURES & BENEFITS**

- Dual filtration for extra sediment capacity
- High Strength Light-weight Aluminium bracket with Architectural Grade PVDF electro coating
- Fast plug & play installation
- Designed for harsh climate
- Quick and easy plug-and-play installation
- Equipped with a lamp count-down timer and alarm
- Anti-tamper & childproof lockable lid
- Hinged lid for easy access for lamp change
- 3 Year Warranty

**HYBRID DOSAGE**

Flow rate @40mJ/cm <sup>2</sup>	<b>54 Lpm</b>
Flow rate @30mJ/cm <sup>2</sup>	<b>70 Lpm</b>
Flow rate @16mJ/cm <sup>2</sup>	<b>130 Lpm</b>

**ADDITIONAL INFORMATION**

**The Hybrid Series Kills 99.99% Of Bacteria & Parasites**

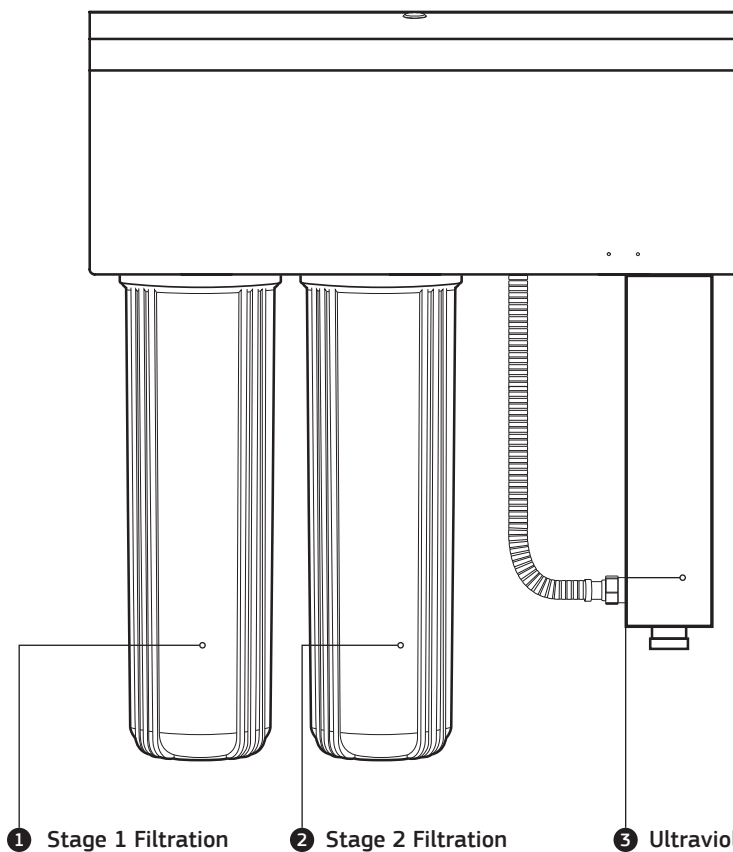
Thanks to its advanced UV technology – called Radfire™ – the Hybrid series kills 99.99% of tank water bacteria. Nothing else even comes close. Radfire™ is a natural water purification process, that’s ecofriendly and completely chemical free. So you get safe, purified water at every outlet in the house.

**It Filters Your Water Too**

As its name suggests, the Hybrid series combines two technologies to clean your water. In addition to killing 99.99% of bacteria with UV rays, it filters out sediment and anything else that manages to pass through your rainwater tank’s coarser filter. This not only makes your water safe, but also prolongs the life of your household appliances.

**Longer Filter Life**

The Hybrid series incorporates Puretec’s long life filter technology, so you can go longer between filter replacements, and comes with our **3 Year Platinum Protection Warranty**^.



**1 Stage 1 Filtration**

A washable 20 micron sediment filter to remove silt, sludge, dirt, rust and other coarse particles

**2 Stage 2 Filtration**

A solid 1 micron filter to remove fine particles

**3 Ultraviolet Protection**

Kills 99.99% of bacteria with Radfire ultraviolet technology, a natural purification process that’s completely eco-friendly and chemical-free

**Features & Benefits**

**Weather-proof Cover**

Light-weight Aluminium bracket with Architectural Grade PVDF electro coating

**Weather Protection**

The Hybrid incorporates a weather cover for outdoor installations

**Excellent Corrosion Resistance**

Constructed using high strength aluminium bracket, lid and stainless chamber ensures no rusting

**Easy Installation**

4 mounting points for quick and easy installation

**Neatly Concealed Monitor Panel**

Monitors the lamp life, failure alarm (audible & visible) and total running days of the Radfire UV unit

**Anti-Tamper Design**

Anti-tamper and childproof lockable lid